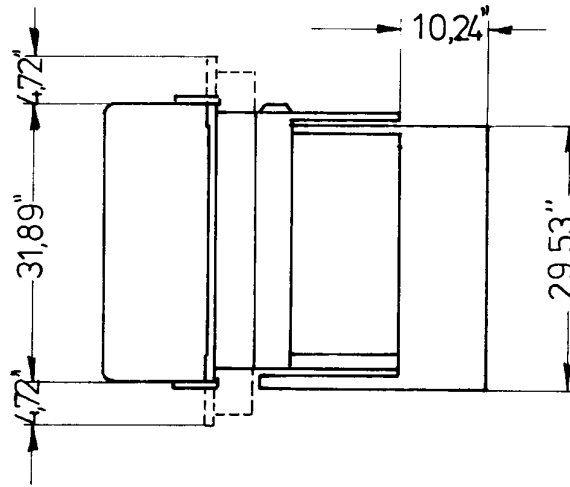
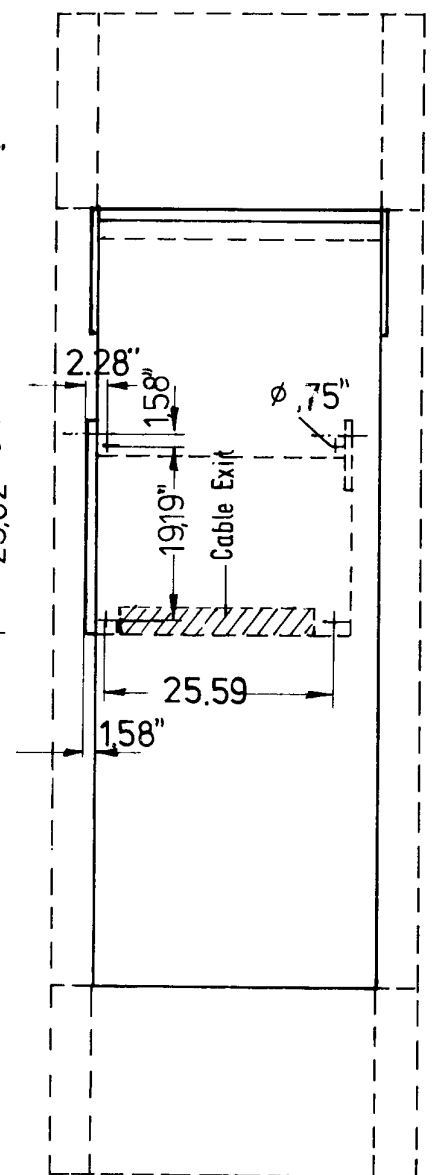
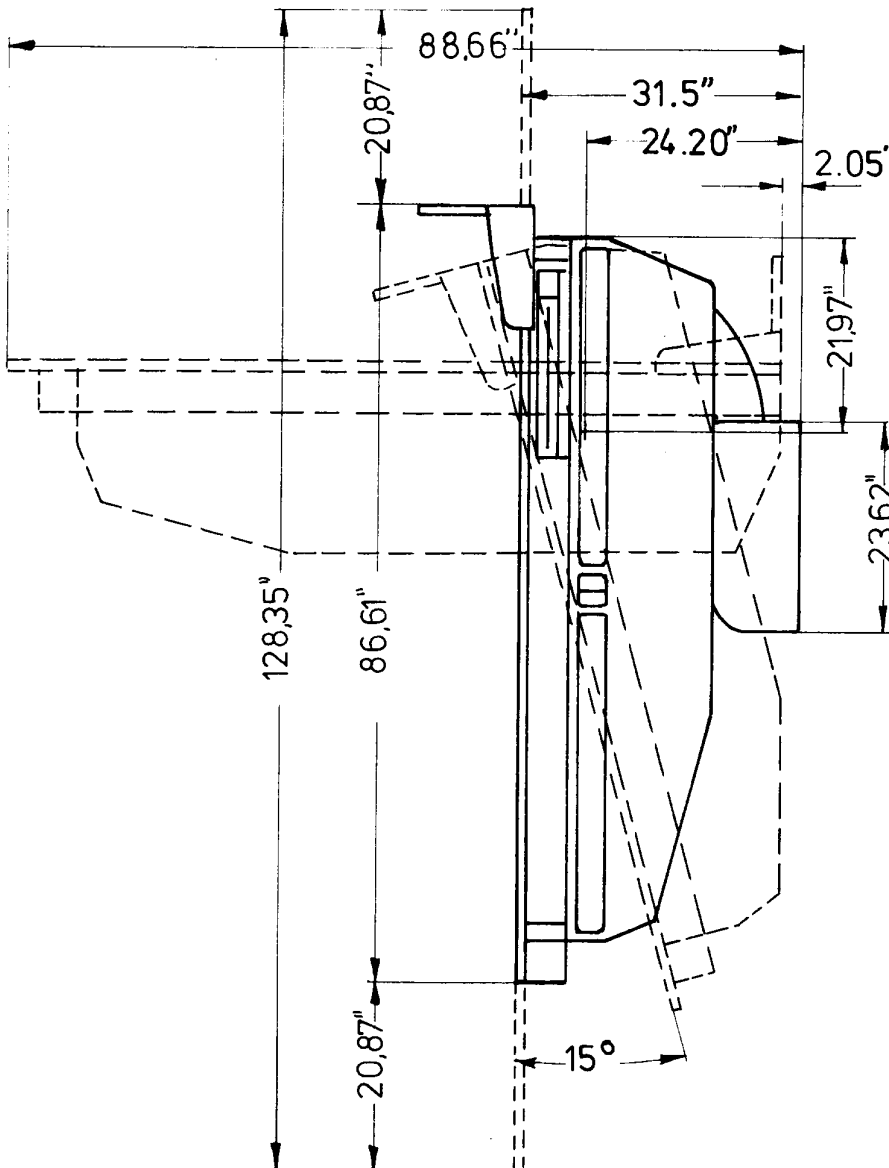


1.6 Dimensional Drawings

mm = inch



3260	=	128.35
2252	=	88.61
2200	=	86.14
810	=	31.89
800	=	31.50
750	=	29.52
650	=	25.59
610	=	24.01
600	=	23.62
560	=	22.05
558	=	21.97
530	=	20.87
487,5	=	19.19
260	=	10.24
120	=	4.72
60	=	2.36
58	=	2.28
52	=	2.05
40	=	1.57



1.7 Power Connection

Power cable: 3 x 2.5 mm² (IL/N/PE)
Nominal voltage: 115 / 230 VAC selectable
Frequency: 50 or 60 Hz
Nominal current: 20 / 10 A (fuse)
Power rating: 1 kVA

1.8 Special Tools Required

Torque wrench 50 Nm (5 mkp)
Masonry drill, 12 and 15 mm diameter

1.9 Measuring Instruments Required

Machinist's water level
Spring scale 0 - 12 kg