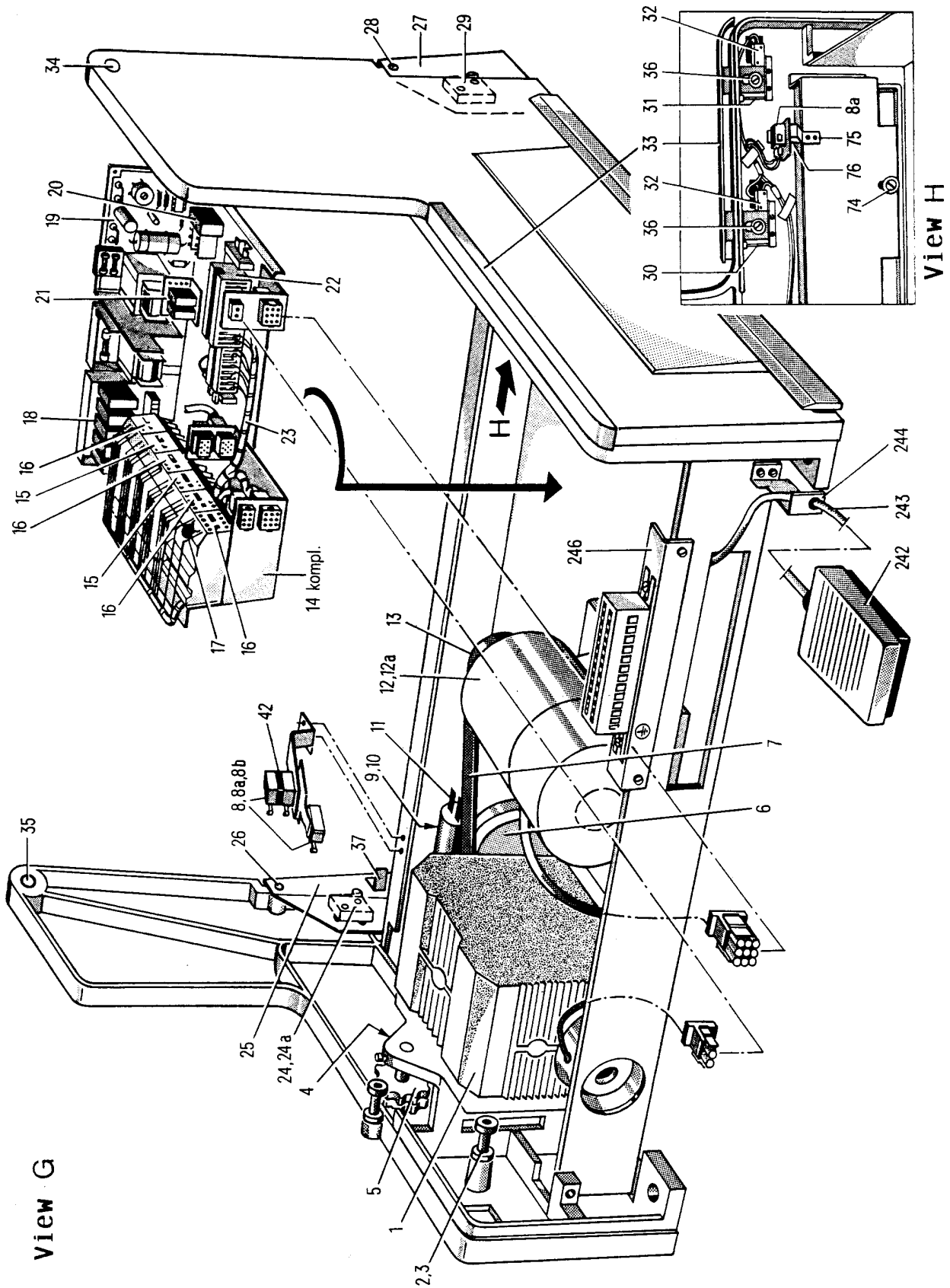
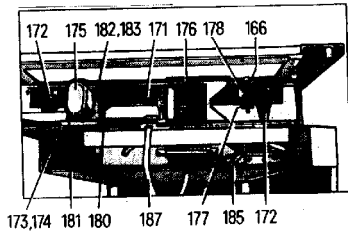


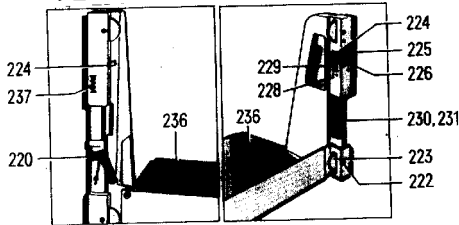
4.3 Spare Parts Table Base



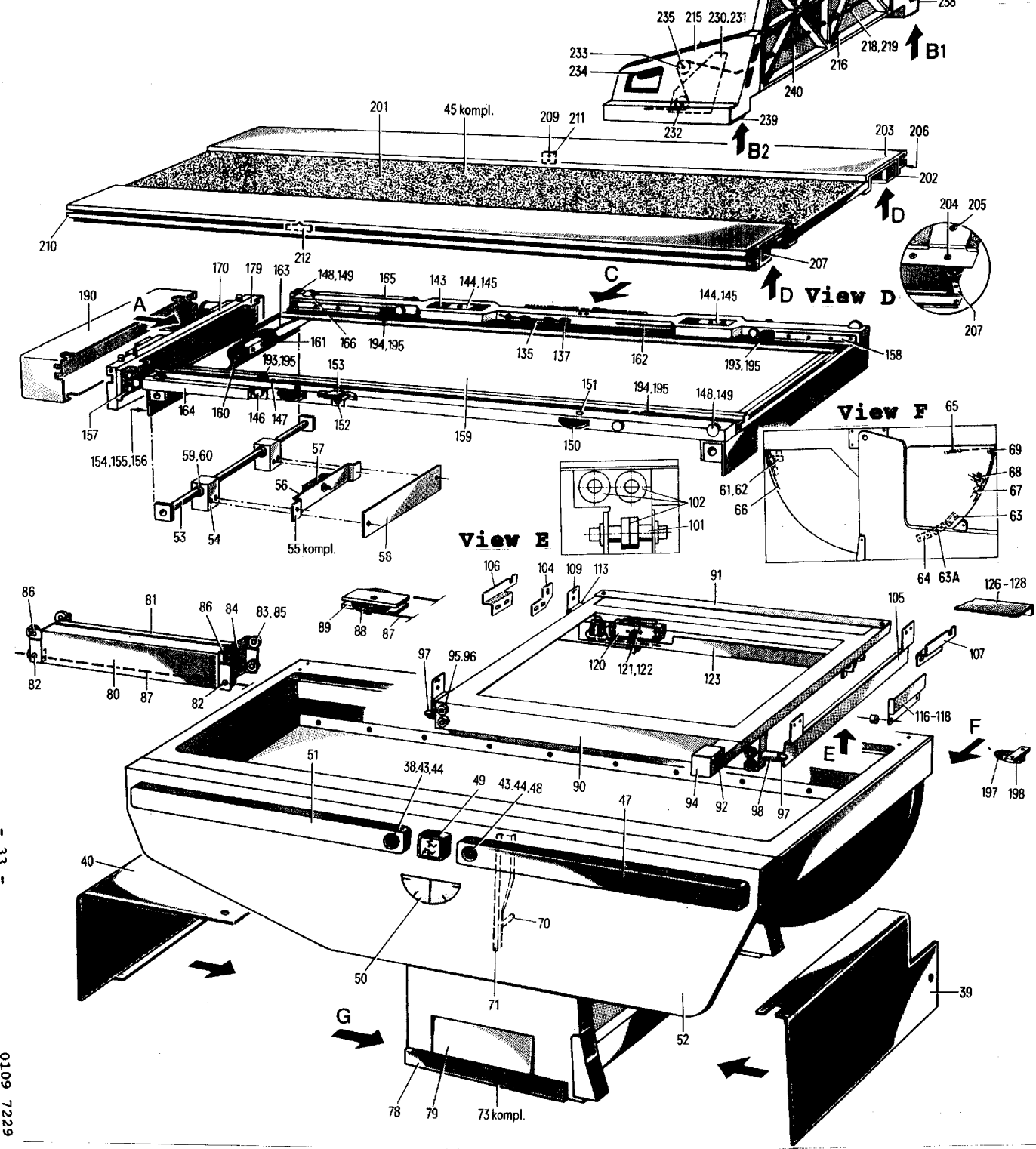
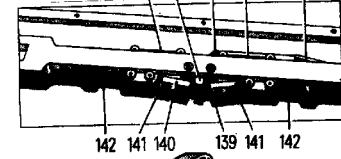
View A



View B1 B2



View C



4.3.2 Spare Parts List

Part Names / Ordering Numbers

In case of defects parts may only be replaced by original parts listed below. When ordering parts always indicate serial number of unit, name and complete number of part. The exchange of parts or components may only be carried out by ourselves or by qualified personnel being authorized to do so. See also chapter: "Safety Notes".

Item	Designation	Order No.
1	Gear box with brake	0006 0220
1a	Brake	0006 0350b
2	Shoulder screw	0109 0036
3	Pulley	0109 0037
4	Drive sprocket	0109 0076
5	Return sprocket	0109 0077
6	Pulley	0109 0066
7	V-belt 8 x 710	2300 0009
8	Switch up to serial no. 865	0006 0001
8a	Switch from serial no. 866	0006 0079b
8b	Actuator from serial no. 866	0006 0450
9	Capacitor	0006 0218a
10	Capacitor	0006 0219a
11	Cable	0109 0088
12	Motor 50 Hz	0006 0221a
12a	Motor 60 Hz	0006 0221b
13	Pulley	0109 0067
14	Control panel, compl.	0109 0030
15	AC relay	0006 0185c
16	AC relay	0006 0185b
17	Varistor	0006 0222
18	Relay board	0109 0035a
19	Power supply	0109 0080
20	Klixon relay 220V 50 Hz	0006 0223a
20a	Klixon relay 117V 60 Hz	0006 0223b
21	Relay board	0109 0143
22	Terminal strip	0109 0078
23	Harness	0109 0033
24	Switch up to serial no. 865	0006 0001
24a	Switch from serial no. 866	0006 0184
25	Flap	0109 0062a
26	Shaft	0109 0063a
27	Flap	0109 0062b
28	Shaft	0109 0063b
29	Switch	0006 0184
30	Spring	0005 0040b
31	Spring	0005 0040f
32	Switch	0006 0079
33	Actuator	0109 0050
34	Bushing	0005 0162b1
35	Bushing	0005 0162bm

Item	Designation	Order no.
36	Bushing	0109 0053
37	Bracket	0109 0064
38		
39	Front cover	0109 0027
40	Rear cover	0109 0028
41		
42	Spacer	0109 0893
43	Circuit component	0006 0373
44	Bulb for emergency stop	0006 0374
45	Table top, compl.	0109 0340
46	Control handle, compl.	0109 0350a
47	Bar	0109 0128b
48	Emergency stop	0006 0372
49	Switch	0109 0148
50	Angle indicator	0109 0130
51	Bar	0109 0128a
52	Cover	0109 0124
53	Guide shaft	0622 0528
54	Bearing housing	0622 0085
55	Lateral brake, compl.	0109 0290
56	Laminated spring	0105 0153
57	Solenoid	0105 0148
58	Lid	0109 0289
59	Bearing	0005 0191a
60	Snap ring DIN 471 32 x 1.5	2200 0223
61	Bracket	0109 0043
62	Chain mount	0109 0039
63	Actuator	0109 0061
63a	Actuator	0109 0096
64	Actuator	0109 0059
65	Spring	0005 0040j
66	Strip, compl.	0109 0047
67	Chain	0005 0132
68	Chain tensioner	0109 0040
69	Pulley	0109 0049
70	Cam	0109 0137
71	Support	0109 0136
72		
73	Foot switch compl.	0109 0910
74	Passure spring	0005 0136u
75	Switch support	0109 0917
76	Switch bracket	0109 0916
77		
78	Swich actuator	0109 0920
79	Foot switch plate	0109 0913
80	Strut	0109 0167
81	Counterweight	0109 0168
82	Sliding nipple	0109 0164
83	Sleeve	0109 0166
84	Bearing plate	0109 0163
85	Ball bearing 6001-2Z	2400 0017

Item	Designation	Order No.
86	Sliding nipple	0109 0165
87	Wire rope	0109 0816
88	Pulley	0105 0681
89	Pulley support	0109 0173
90	Frame	0109 0802
91	Cover	0109 0813
92	Momentary switch	0006 0084b
93		
94	Switch housing	0109 0815
95	Eccentric bushing	0622 0106a
96	Ball bearing 6001-2Z	2400 0017
97	Bumper	0005 0103a
98	Spacer	0109 0809
99		
100		
101		
102	Ball bearing 6001-2Z	2400 0017
103	Eccentric Bushing	0622 0106b
104	Mounting bracket, LF + Phi	0109 0826
105	Bracket, Siemens	0109 0823
106	Mounting bracket, Picker	0109 0827a
107	Mounting bracket, Picker	0109 0827b
108		
109	Nutplate, Siemens	0109 0821
110		
111		
112		
113	Spacer, Siemens	0109 0822
114		
115		
116	Cover, LF	0622 0199
117	Cover, Siemens	0627 0518
118	Cover, ES	0109 0158b
119		
120	Plug holder	0109 0808
121	Spring	0105 0153
122	Solenoid	0105 0148
123	Connecting Bracket	0109 0810
124		
125	Cable	0105 0189
126	Cover plate, LF	0622 0121
127	Cover plate, Picker	0109 0468
128	Cover plate, Philips	0622 0122
129	Cover plate, Villa	0109 0844
130		
131		
132		
133		
134		

Item	Designation	Order No.
135	Wire rope	0109 0273
136	Slider	0109 0274
137	Nipple	0109 0272
138	T-Bracket	0109 0279
139	Flat piece	0109 0278
140	Spring	0005 0136o
141	Catch	0109 0276
142	Spring	0005 0042u
143	Terminal strip	0006 0042
144	Solenoid	0622 0530
145	Spring	0622 0531
146	Bearing with eccenter	0622 0555
147	Bearing with bushing	0622 0556
148	Ball bearing 608-2Z	2400 0006
149	Eccentric bushing	0109 0345
150	Guide roller	0622 0514
151	Shaft	0622 0515
152	Actuator spring	0006 0167
153	Switch	0006 0006
154	Bracket	0109 0297
155	Connector	0109 0302
156	Nut plate	0109 0296
157	Bushing	0109 0301
158	Bracket	0109 0286
159	Protective foil	0109 0294
160	Bumper support	0622 0156
161	Rubber metal bumper	0005 0108
162	Cable	0109 0307
163	Cable	0109 0306
164	Boom	0109 0371
165	Boom	0109 0372
166	Eccenter adjusting ring	0109 0373
167	Actuating rod	0109 0232
168		
169		
170	Interlock, compl.	0109 0190
171	Rest bracket	0109 0192
172	Gusset plate	0109 0201
173	Crank shaft	0109 0218
174	Connector	0109 0197
175	Drive, compl.	0109 0200
176	Relay board	0109 0226
177	Actuator spring	0005 0042c
178	Switch	0006 0079
179	Cover frame	0109 0228
180	Switch	0006 0079
181	Nut plate	0109 0214
182	Index bolt	0109 0212
183	Actuator bar	0109 0211
184		

Item	Designation	Order No.
185	PC board	0109 0155
186		
187	Harness	0109 0034
188		
189	Strain relief	0109 0223
190	Cover	0109 0225
191		
192		
193	Holder	0109 0375a
194	Holder	0109 0375b
195	Bumper	0109 0376
196		
197	Bumper	0005 0103
198	Stop	0109 0441
199		
200		
201	Table top	0109 0342a
202	Table frame	0109 0341
203	Profile rails	0622 0549
204	Self-threading screw 4,5x20	2023 0006
205	Screw B 4.2x13	2022 0001
206	Stop	0109 0419
207	Stop	0622 0550b
208		
209	Screw DIN 963 M6 x 8	2020 0075
210	Stop	0105 0160
211	Actuator	0109 0344
212	Actuator	0109 0343
213		
214		
215	Strut	0109 0403
216	Footrest	0109 0405
217	Strut	0109 0404
218	Nipple	0109 0433
219	Screw	0109 0432
220	Interlever	0109 0417
221	Lever	0109 0421
222	Shaft	0109 0427
223	Pulley	0109 0412
224	Lock piece	0109 0416
225	Shaft	0109 0414
226	Link	0109 0415
227		
228	Bearing	0109 0408
229	Spring	0005 0136j
230	Nutplate	0109 0430
231	Nutplate	0109 0428
232	Shaft	0109 0427
233	Pulley	0109 0423
234	Lever	0109 0407

Item	Designation	Order No.
235	Shaft	0109 0411
236	Cover	0109 0406
237	Spring	0005 0136m
238	Cap	0109 0431b
239	Cap	0109 0431a
240	Wire rope	0109 0424
241		
242	Foot switch	0109 0925
243		
244		
245		
246		
247		
248		
249		
250		

4.4 Maintenance sheet

Maintenance work has been performed according to the enclosed instructions. Defective parts have been replaced exclusively by original spare parts as contained in the Spare Parts List.

Parts replaced:
(Only state item No.)

.....
Date Firm (Stamp) Signature

Parts replaced:
(Only state item No.)

.....
Date Firm (Stamp) Signature

Parts replaced:
(Only state item No.)

.....
Date Firm (Stamp) Signature

Parts replaced:
(Only state item No.)

.....
Date Firm (Stamp) Signature

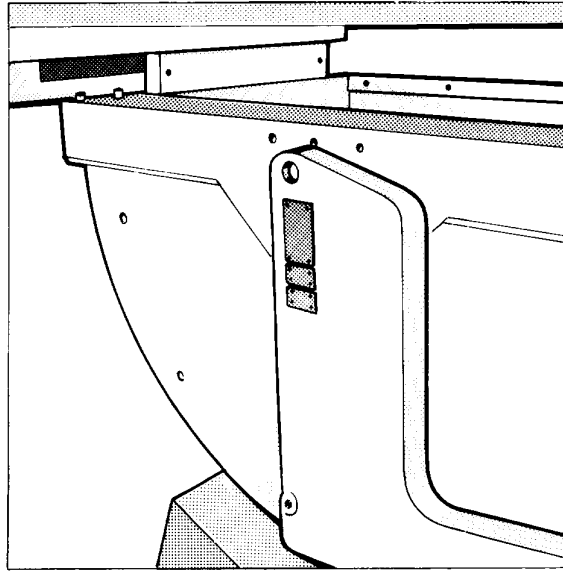
Parts replaced:
(Only state item No.)

.....
Date Firm (Stamp) Signature

Parts replaced:
(Only state item No.)

.....
Date Firm (Stamp) Signature

4.5 Location of Model-Number Plate



Model No.	<input type="text"/>	
Serial No.	<input type="text"/>	
Input	<input type="text"/>	Voltage
<input type="checkbox"/> Phases	<input type="text"/>	Hertz
Amperes	<input type="text"/>	
Date Mfg.	<input type="text"/>	
This product complies with applicable standards under "21CFR Sub-Chapter J"		
Made by Hans Pausch Graf-Zeppelin-Str 1 8520 Erlangen W. Germany		
	17959	

Specifications are subject to change without notice.

Hans Pausch X-Ray Equipment D-91056 Erlangen, Germany
Manufacturer TV/Ru