

Technical Bulletin No.

TB-0370-1001

Subject

Vertical Brake adjustment

Release Date

31.10.2003

Models

BS2000V, BS2000VK

Content

Adjustment of vertical brake levers (0370 0342a/ 0370 0342b)

Procedure

- 1 If unit is a BS2000VK (tilting), go to step 4
- 2 Remove bucky cover (Item 45, Fig. 1)
- 3 Remove bucky
- 4 Remove column top (Item 12, Fig. 1)
- 5 Remove column cover (Item 4, Fig. 1)
- 6 If unit is a BS2000VK, tilt unit

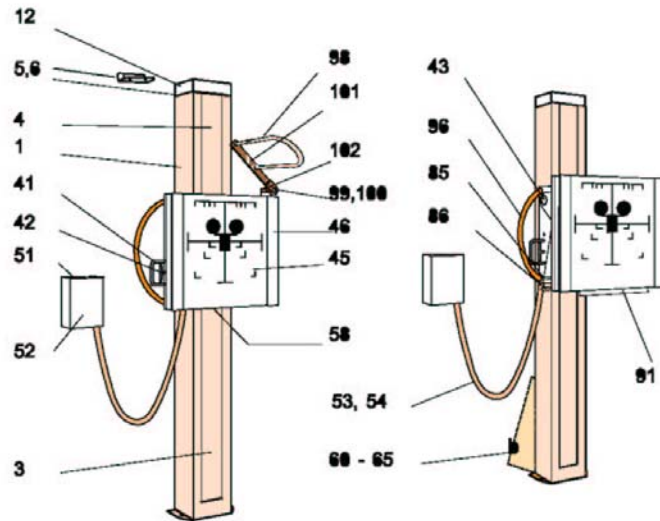


Fig. 1

- 7 Using a 10mm wrench (Item 1, Fig. 2), loosen locking nut (Item 3, Fig. 3)
- 8 Turn the 3mm hex screw ccw (Item 2, Fig. 2)
- 9 Test adjustment
- 10 If the vertical brake is functioning correctly, re-tighten locking nut (Item 3, Fig. 3)
- 10 Reassemble and test



Fig. 2

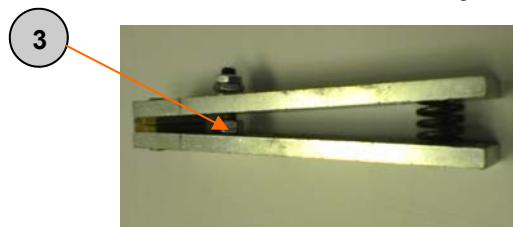


Fig. 3

PAUSCH
technologies