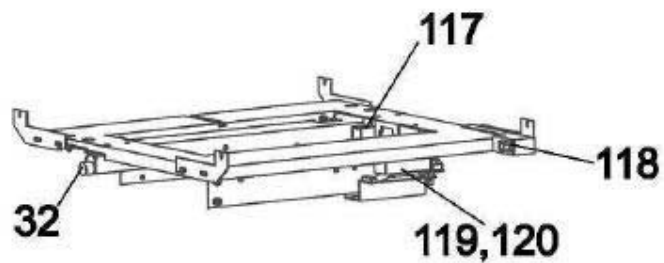
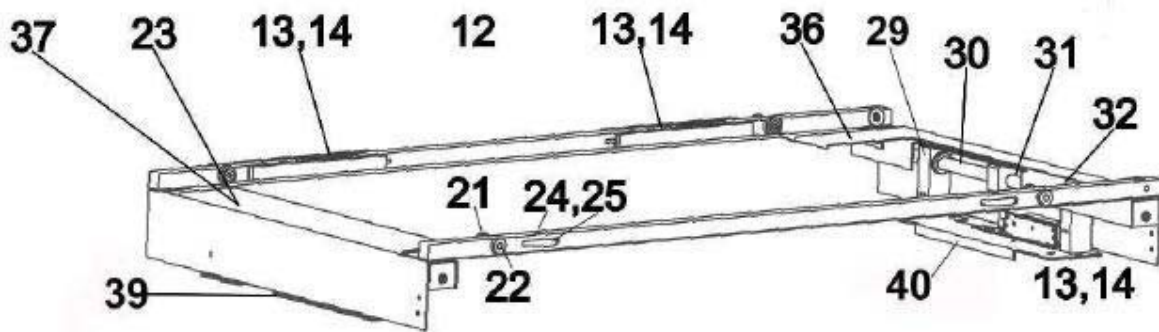
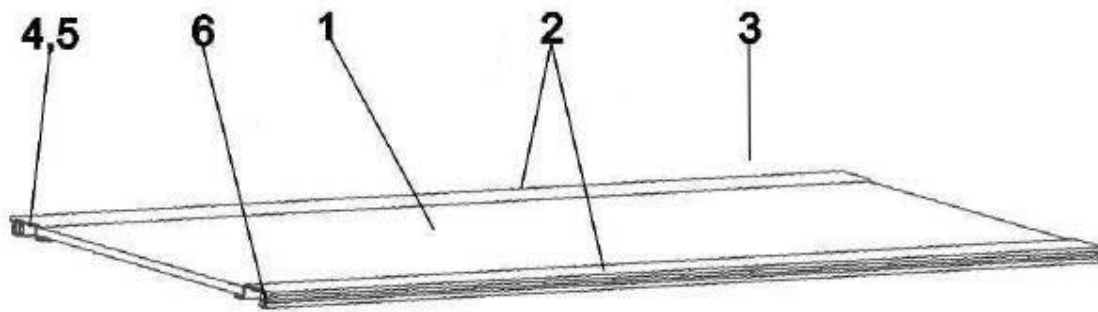
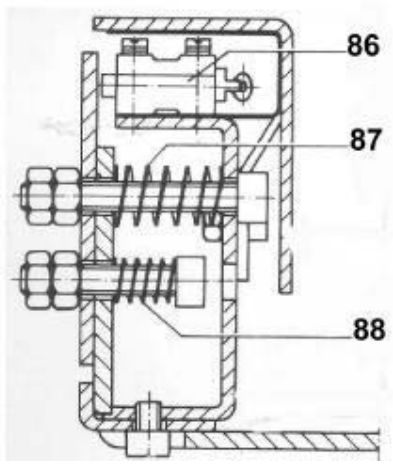
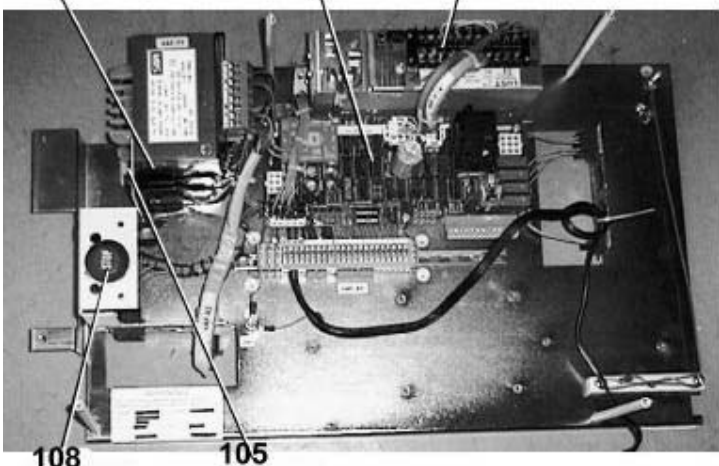
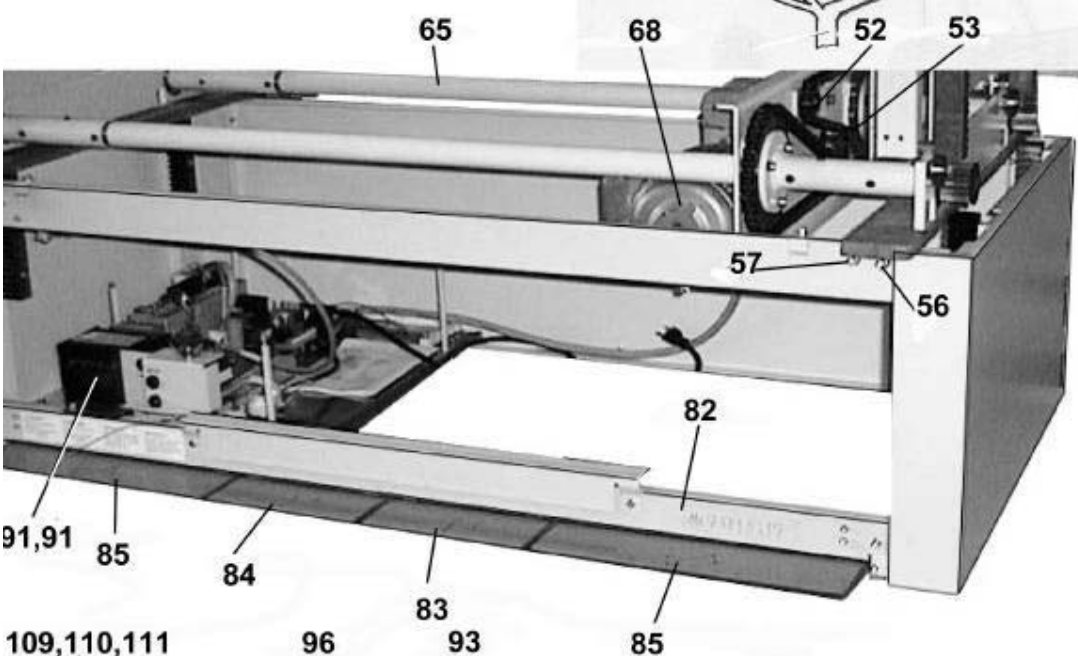
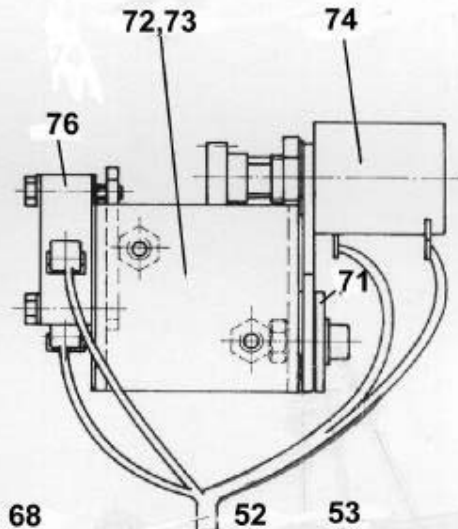
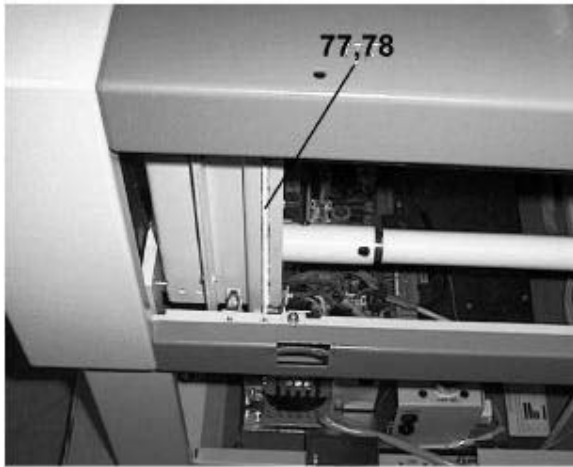


4.3 Spare Parts Table





4.4 Spare Parts List

Designation / Order No.

NOTE:

Defective parts must only be replaced by genuine spare parts as listed below. For shipment of spare parts, always specify serial number of equipment and full ordering number(s). Parts or part assemblies may only be replaced by the manufacturer or parties expressly authorized. See also chapter on "Safety Procedures".

Item	Designation	Ordering No.
1	Table top	0622 0548
2	Profile rail	0622 0549
3	Frame	0622 0541
4	Stop	0622 0550a
5	Bumper	0005 0164g
6	Stop	0622 0550b
7		
8		
9		
10		
11		
12	Frame	0622 0501
13	Solenoid	0006 0603
14	Laminated Spring	0622 0531
15		
16		
17		
18		
19		
20		
21	Bearing with bushing	0622 0556
22	Bearing with eccentric	0622 0555
23	Bearing with bushing	0622 0557
24	Shaft	0622 0515
25	Plastic roller	0622 0514
26		
27		
28		
29	Bearing block	0622 0085a
30	Guide shaft	0622 0528
31	Bearing Block	0622 0522b
32	Bumper	0005 0108
33	Bearing LBAR 20	0005 0191a
34	Snap ring 32x1.5 DIN 471	2200 0223
35		
36	Cover	0622 0523
37	Cover	0622 0526
38		

Item	Designation	Ordering No.
39	Bridge	0627 0828a
40	Bridge	0627 0828b
41		
42	Cover panel, Front	0627 0845
43	Cover panel	0627 0839a
44		
45	Bridge, Front	0627 0834
46	Bridge, Rear	0627 0156a
47	Outer Side Panel	0627 0830a
48	Outer Side Panel	0627 0830b
49		
50	Bridge, Front	0627 0835
51	Cover, rear	0627 0836
52	Track-connecting tool	0627 1244
53	Chain	2300 0027
54		
55		
56	Bearing with eccentric Bushing	0627 0119
57	Bushing	0627 0140
58	Cable Protection Cover	0627 1265
59		
60		
61	Side frame	0627 1155a
62	Side frame	0627 1155b
63	Back cover	0627 1152
64		
65	Toothed Rack Drive II	0627 1200
66		
67		
68	Drive Motor (230 V) comp.	0627 1205
69		
70		
71	Terminal strip	0627 1334
72	Height measuring unit	0627 1130
73	Holder for Potentiometer	0627 1133
74	Potentiometer, Cpl.	0627 1136
75		
76	Switch with lever	0006 0616ba
77	Rackholder	0627 1320
78	Toothed Rack	0627 1330
79	Crank Handle	0627 1325
80	Eccentric Bushing Comp.	0627 0034
81		
82	Foot pedal switch, Comp.	0627 1140
83	Foot pedal switch, Short, "Up"	0627 1148
84	Foot pedal switch, Short, "Down"	0627 1146
85	Foot pedal switch "Brake"	0627 1144
86	Switch	0006 0079a
87	D-spring	0005 0042s
88	D-spring	0005 0042t
89		

Item	Designation	Ordering No.
90	Transformer (230 V)	0627 1470
91	Transformer (115 V)	0627 1465
92		
93	Frequency Converter	0627 1461
94		
95	Component board Cpl.	0627 1450
96	Relay Board	0627 1460
97		
98	Motor Relay	0006 0667
99	Relay	0006 0286b
100		
101		
102		
103		
104		
105	Push button	0006 0084a
106		
107	Cable tie	0322 0076
108	Service Switch	0006 0260
109	Fuse holder	0006 0144
110	Cap for 5x20 fuse	0006 0152a
111	Cap for 6,3x32 fuse	0006 0152b
112		
113		
114	Bearing with eccentric	0632 0653
115	Bearing with bushing	0632 0657
116		
117	Bridge plug	0632 0307
118	BuckySwitch	0006 0720a
119	Magnet	0006 0603
120	Spring	0632 0418

4.5 Name Plate Location:

	HANS PAUSCH Röntgengerätebau D-91056 Erlangen Graf-Zeppelin-Str. 1
Type	<input type="text"/>
Fabr.Nr.	<input type="text"/>
Datum	<input type="text"/>
Spanng.	<input type="text"/> Volt
Frequenz	<input type="text"/> Hertz
Strom	<input type="text"/> Ampere
Made in Germany	



4.6 Maintenance Documentation

The maintenance according to the attached maintenance instructions has been carried out. Any parts replaced were original spare parts as shown on the list.

Replaced parts (List item no. only)

Date	Name of company	Signature
------	-----------------	-----------

Replaced parts (List item no. only)

Date	Name of company	Signature
------	-----------------	-----------

Replaced parts (List item no. only)

Date	Name of company	Signature
------	-----------------	-----------

Replaced parts (List item no. only)

Date	Name of company	Signature
------	-----------------	-----------

Replaced parts (List item no. only)

Date	Name of company	Signature
------	-----------------	-----------

Replaced parts (List item no. only)

Date	Name of company	Signature
------	-----------------	-----------

Subject to technical alterations

TV / Ru

0627 7226

34 von 34

07/98

Rev. 02 © 1998 Hans Pausch Röntgengerätebau Graf-Zeppelin-Str. 1 D-91056 Erlangen

ALL RIGHTS RESERVED Ru