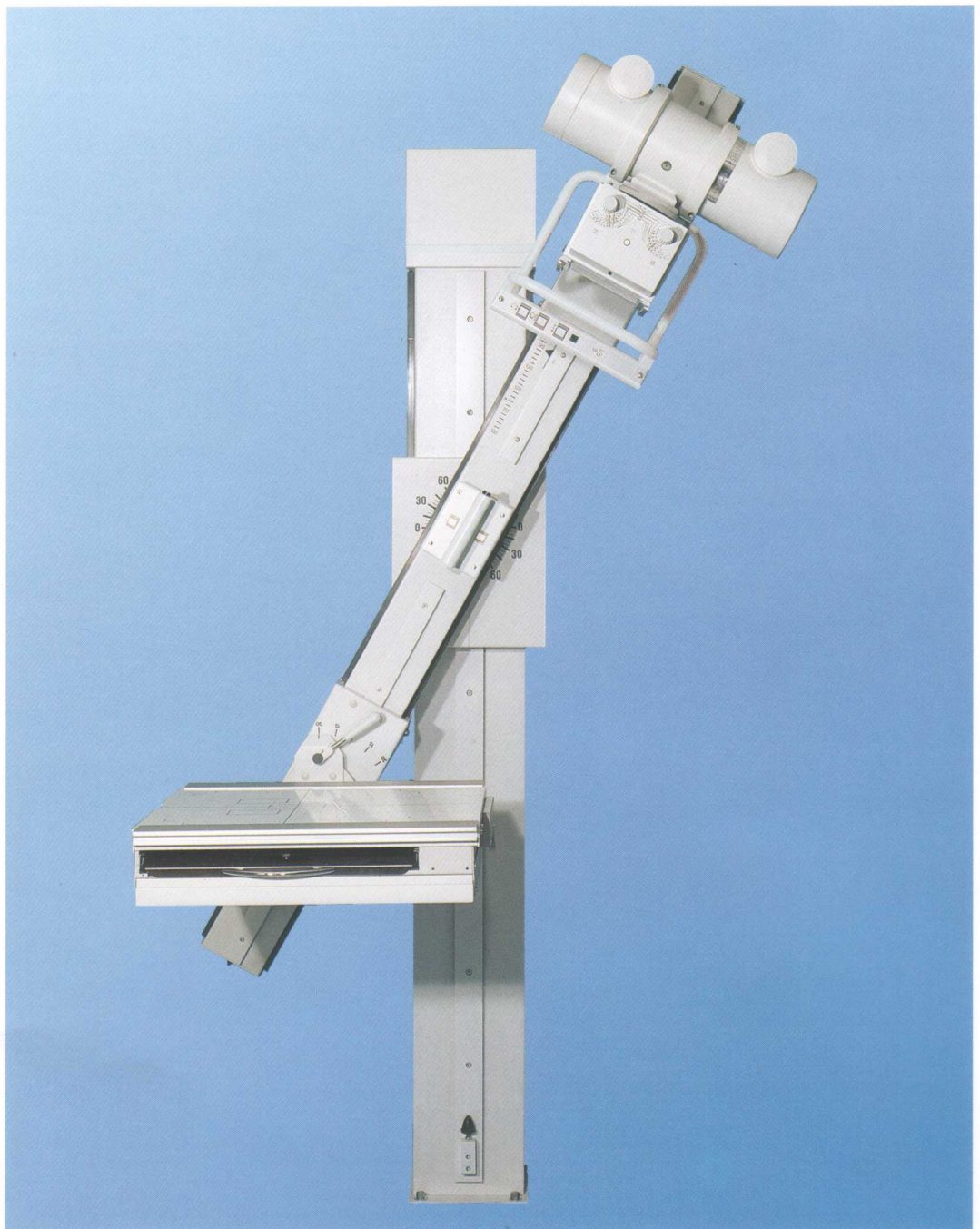


Cosmos-2

Universal X-Ray unit

Cosmos-2



Cosmos-2 - the economical solution

The universal X-Ray unit Cosmos-2 is an economical solution because it accommodates exposures on standing, seated or recumbent patients, from skull to extremities or from abdomen to chest, the Cosmos-2 does everything. A truly universal positioning device, an indispensable asset to any practice or radiology department.

More vertical travel

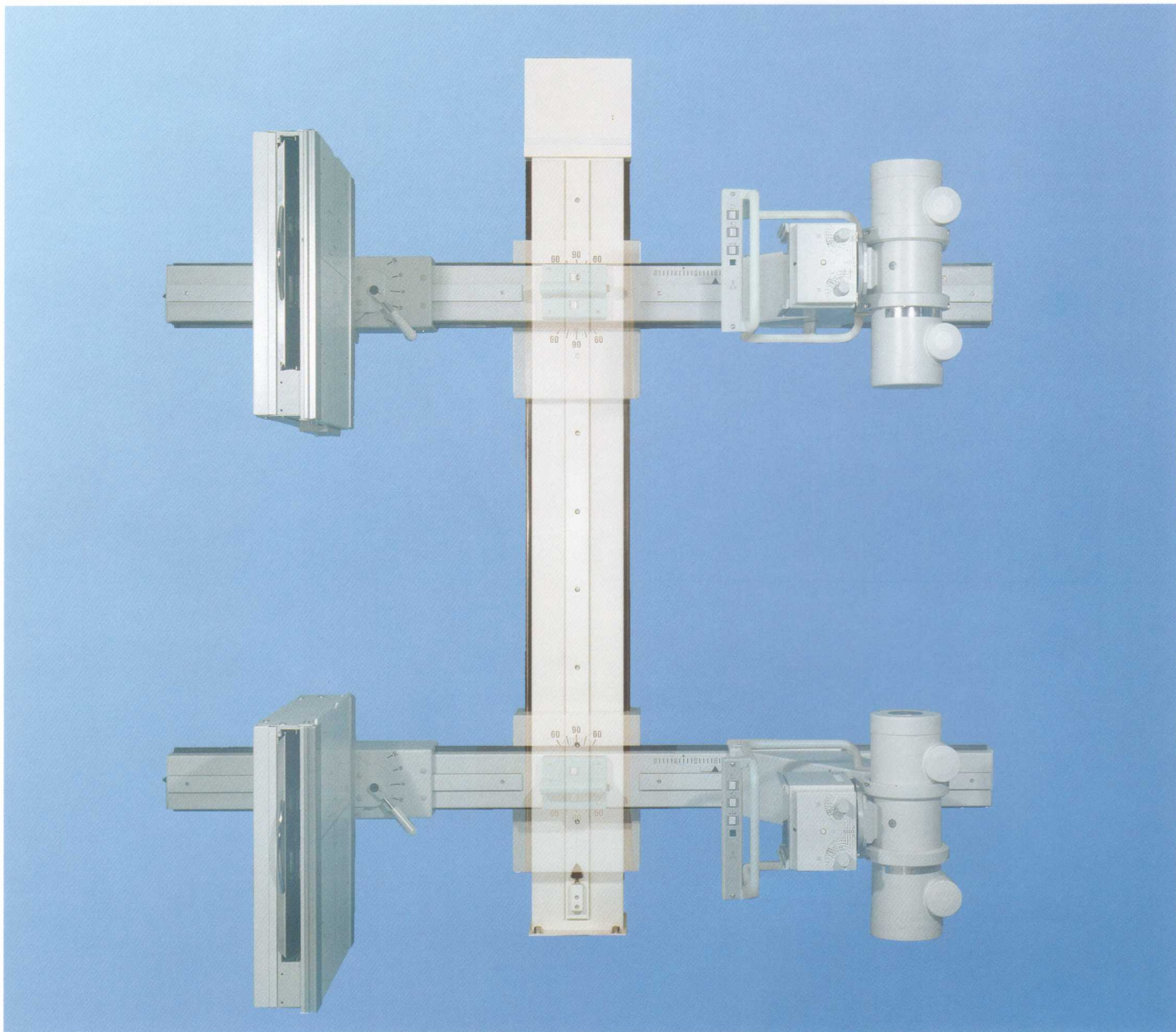
The extensive vertical travel of the Cosmos-2 makes exposures from the knees to a standing skull possible. The vertical movement is 42 cm (16.5'') to 163 cm (64'') from the floor (center horizontal beam). The rotation of the swivel arm is infinitely variable from +135° to -35°. Additionally the Bucky angulates independently of its support column up to $\pm 30^\circ$.

Easy operation

The unit can be moved and rotated smoothly with either ergonomically designed hand grips. The vertical and rotational movements are locked electromagnetically. The FFD (SID) movement is power driven for fast secure positioning. The Bucky angulation motion is friction locked with a mechanical index at 0°. The Cosmos-2 is totally counterbalanced and has guide rails for smooth movement.

Constant alignment

Even although the movements and adjustments of the Cosmos-2 are extensive, the X-ray tube and the Bucky are always centered. The permanent centering of the tube to the center of the Bucky guarantees a fast and precise radiographic positioning.



Easy of patient positioning

The flexible adjustments of the Cosmos-2 facilitate positioning of the patient in a standing, seated or recumbent with the optional mobile patient table. Patient positioning possibilities are unlimited with the Cosmos-2. A truly universal solution to today's demanding examinations.

Excellent quality exposures

The front plate has an extremely low absorption. The result is radiation sparing to the patient with high quality, high contrast and fine resolution radiographs.

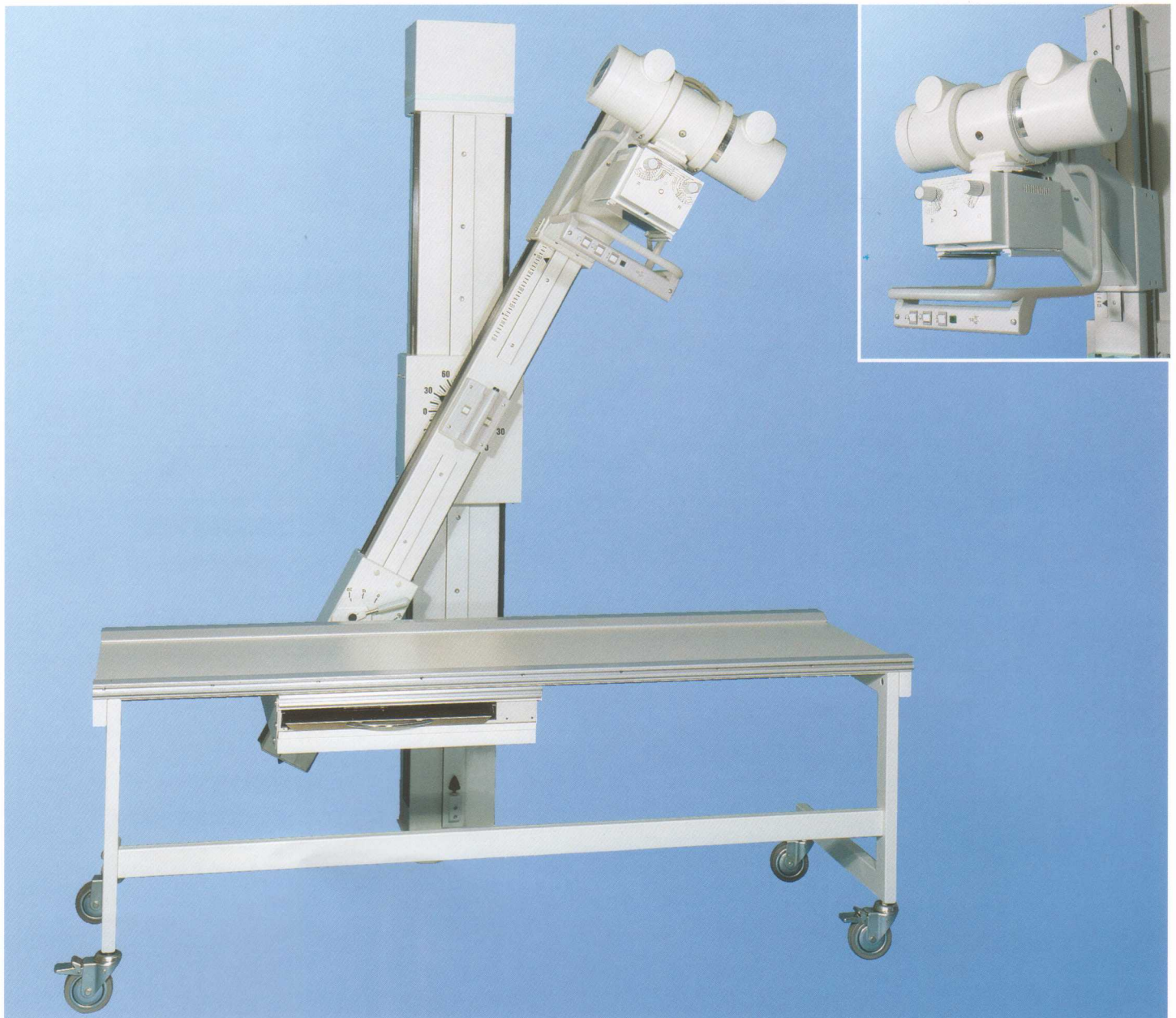
The Cosmos-2 accepts Bucky devices from all manufacturers.

The mobile patient table as an option

Together with the mobile patient table the Cosmos-2 offers all advantages of a conventional Bucky table room. The patient table moves freely and smoothly for rapid patient positioning.

The table top is specially designed using the finest radio lucent materials.

Accessories for the mobile table include a comfortable radio lucent pad. While not in use for radiographic examinations the table can be used for a number of patient application in or outside the radiology department.

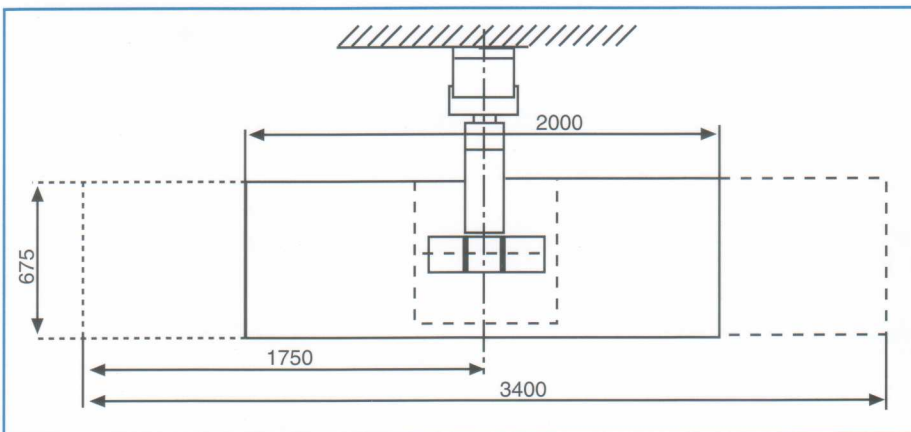
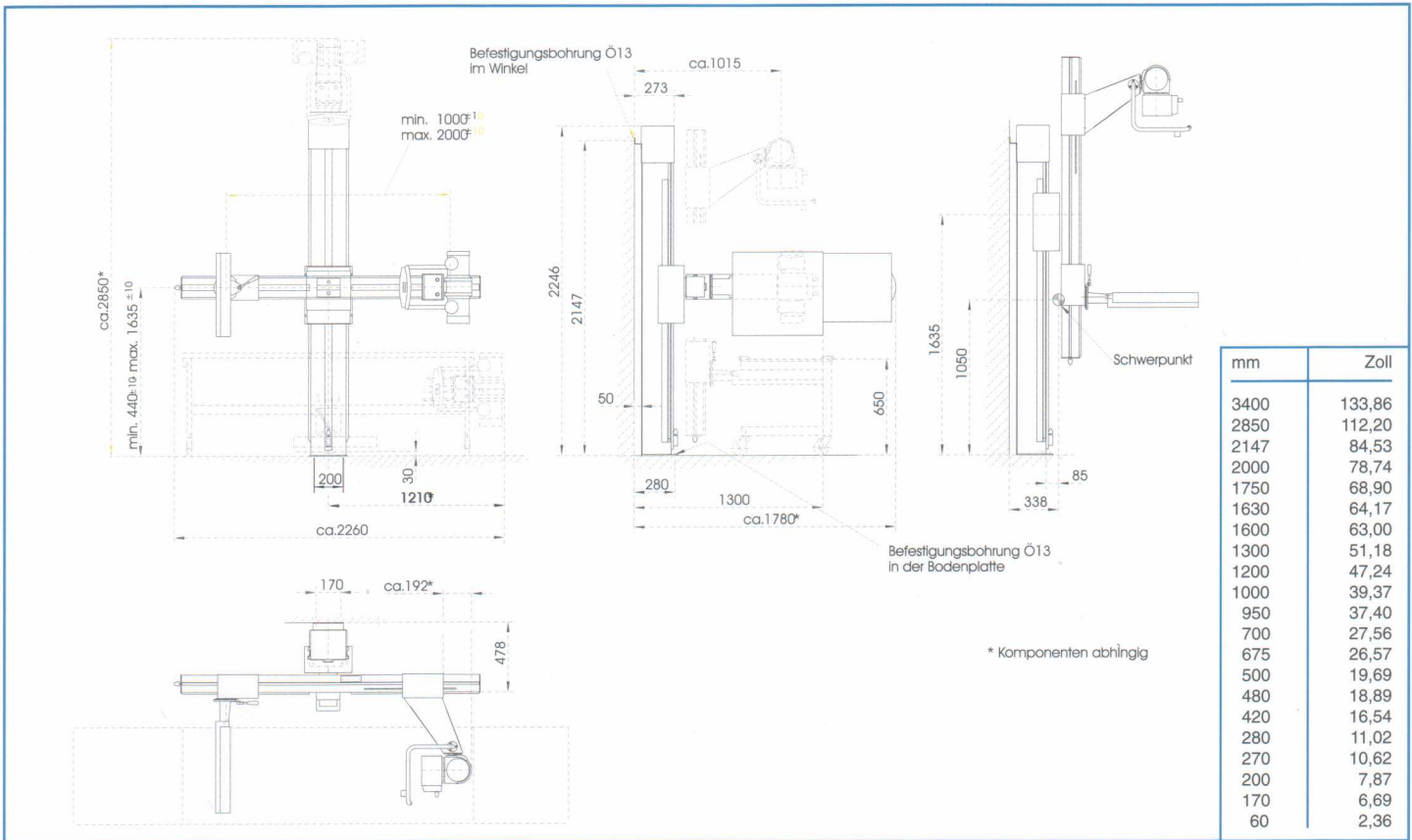


Installation made easy

The Cosmos-2 is anchored to the wall and floor, making installation in existing rooms fast and easy.

Cosmos-2 the right choice

The Cosmos-2 is the economical solution for clinics or a valuable addition to any hospital's radiology department. Combined with the patient table, the Cosmos-2 is an universal X-ray system which can be installed in a smaller or confined space.



Accessories:

Following useful accessories are available:

- Cassette holder
- Compression belt device
- Fixtures for head or hip clamps

Options:

- Mobile patient table